



# PROFTECH

SPÓŁKA Z O.O.



AB 994

Research laboratory  
accredited by PCA, Nr AB  
994

Scopes of accreditation:

- concentration and mass measurements of flow of fine particles
- measurements of concentration and mass flow of SO<sub>2</sub>, NO<sub>x</sub>, CO
- concentration measurements of CO<sub>2</sub>, O<sub>2</sub>
- concentration and mass flow measurements of OWO
- sampling for mass concentration determination of PCDD/PDF and dioxin type PCB
- sampling for concentration determination of (As; Cd; Cr; Co; Cu; Mn; Ni; Pb; Sb; Ti; V)
- sampling for concentration determination of Hg
- sampling and determination of concentration and mass flow of HCl
- sampling and determination of concentration and mass flow of HF
- sampling for determining the concentration of individual gaseous organic compounds
- calibration of Automated Monitoring systems,
- QAL2 procedure
- annual performance test of Automated Monitoring Systems, AST procedure
- noise measurement from machinery, installations and industrial plants

Chorzów, July 20<sup>th</sup> 2020  
Our ref. No.: PW/26/07/20

## **Report No PW/26/07/20**

**on concentration measurements of dioxins and furans emitted into environment from flue gas channel located at UAB FORTUM KLAIPEDA, Kretainio g. 3 LT-94103, Klaipeda, Lithuania.**

Client name and address:

**UAB FORTUM KLAIPEDA**

Kretainio g. 3,  
LT-94103 Klaipeda

Developed by:

mgr Grzegorz Bortel

Calculation and data transfer checked by:

inż. Dariusz Guja

Verified by:

inż. Dariusz Guja

Copy number: .....

ul. Kurta Aldera 44  
41-506 Chorzów  
tel/fax: 0 32 247 37 24

www.proftech.com.pl  
e-mail: proftech@proftech.com.pl

NIP: 627 252 46 31  
KRS: 0000773369

bank account : PKO BANK POLSKI S.A. O/Katowice : IBAN PL62 1440 1172 0000 0000 0353 4332

---

**Test Report No PW/26/07/20**

---

**List of contents:**

- 1. PURPOSE AND SCOPE OF THE REPORT**
- 2. BASIS OF MEASUREMENTS EXECUTION**
- 3. MEASUREMENT TEAM**
- 4. MEASUREMENT RESULTS SUMMARY**
- 5. DESCRIPTION OF THE MEASUREMENT METHOD**
- 6. MEASUREMENT RESULTS**
- 7. MEASUREMENT DEVICES**
- 8. ANALYSIS RESULTS**
- 9. CERTIFICATE OF ACCREDITATION**
- 10. MEASUREMENT PLANE SCHEME**

---

**Test Report No PW/26/07/20**

---

**1. PURPOSE AND SCOPE OF THE REPORT**

Purpose of executed measurements was to determine the concentration and emission of dioxins and furans emitted to environment from flue gas channel located at UAB FORTUM KLAIPEDA, Kretainio g. 3 LT-94103, Klaipeda, Lithuania

*Measurements range:*

- PCDD/DF emission and concentration.

The measurements were carried out in accordance with the sampling plan and the described sampling methods.

Operating parameters of the technological installation was obtained from the customer's representative.

**2. BASIS OF MEASUREMENTS EXECUTION**

The measurements were taken according to the Purchase Order No MX19857LTKLJ18 dated May 24<sup>th</sup> 2018, our reference number PP/10/05/18.

**3. MEASUREMENT TEAM**

The measurements taken on June 23<sup>th</sup> 2020 were executed by the following team:

- Grzegorz Bortel specialist- measurement team leader,
- Bartek Glik specialist,
- Karol Sodo technician.

**4. MEASUREMENT RESULTS SUMMARY**

Below are presented measurement results summary, full measurement results are presented in chapter no 6, at page 8.

Concentration of the substance in the gas in the conventional conditions O2 ref. 11%	PCDDF	ng/m3	<b>0,002</b>
Emission limits	PCDDF	ng/m3	<b>0,1</b>
Transgresssion	PCDDF	ng/m3	-

---

**Test Report No PW/26/07/20**

---

**5. DESCRIPTION OF THE MEASUREMENT METHOD****Measurement of the gas volumetric flow**

The flow rate was determined according to ISO Standard PN-EN ISO 16911-1:2013 „Stationary source emissions - Manual and automatic determination of velocity and volume flow rate in ducts - Part 1: Manual reference method". Gravimetric dust monitor type Megasystem APIS X-1 and type "S" Pitot tube were used for the measurements. Measurement is accredited.

Accreditation range: differential pressure: > 5 Pa

**Measurement O<sub>2</sub> content**

The concentration of O<sub>2</sub> was determined using gas analyzer HORIBA PG-350 EHR equipped with testing probe 2000 mm long. The measurements were taken according to the procedure described in measurement unit as well as to Polish Standard PN-EN 14789:2006 "Stationary source emissions - Determination of volume concentration of oxygen O<sub>2</sub> - Reference method - Paramagnetism". Measurement is accredited.

Accreditation range: O<sub>2</sub> content: 3-21%

**Measurement CO<sub>2</sub> content**

The concentration of CO<sub>2</sub> was determined using gas analyzer HORIBA PG-350 EHR equipped with testing probe 2000 mm long. The measurements were taken according to the procedure described in measurement unit as well as to Polish Standard PN-ISO 10396:2001 "Stationary Source Emissions - Sampling For The Automated Determination Of Gas Concentrations ". Measurement is accredited.

Accreditation range: CO<sub>2</sub> content: 0,1-20%

**Measurement moisture content**

Moisture content was determined using condensation-absorption method. The measurements were taken according to Polish Standard PN-EN 14790:2017. Measurement is accredited.

Accreditation range: H<sub>2</sub>O content: 29-250 g/m<sup>3</sup>

---

**Test Report No PW/26/07/20**

---

**PCDD+PCDF sampling and determination**

PCDD/DF samples were taken according to the requirements of Polish Standard PN-EN 1948-1:2006 „ Stationary source emissions - Determination of mass concentration of PCDDs/PCDFs and dioxin-type PCBs - Part 1: Sampling of PCDDs/PCDFs”.

*The three stages of PCDD/DF concentration and emission determination:*

**Stage I - sampling**

For the determination of mass concentration of PCDD/DF proper sampling plays important role that affects following stages of the testing. The sampling were performed by means of the filtration and condensation method using PCDD/DF sampling system conformed to European Standard PN-EN 1948-1:2006.

The following page shows the schematic diagram of the sampling system.

**Stage II - laboratory analysis**

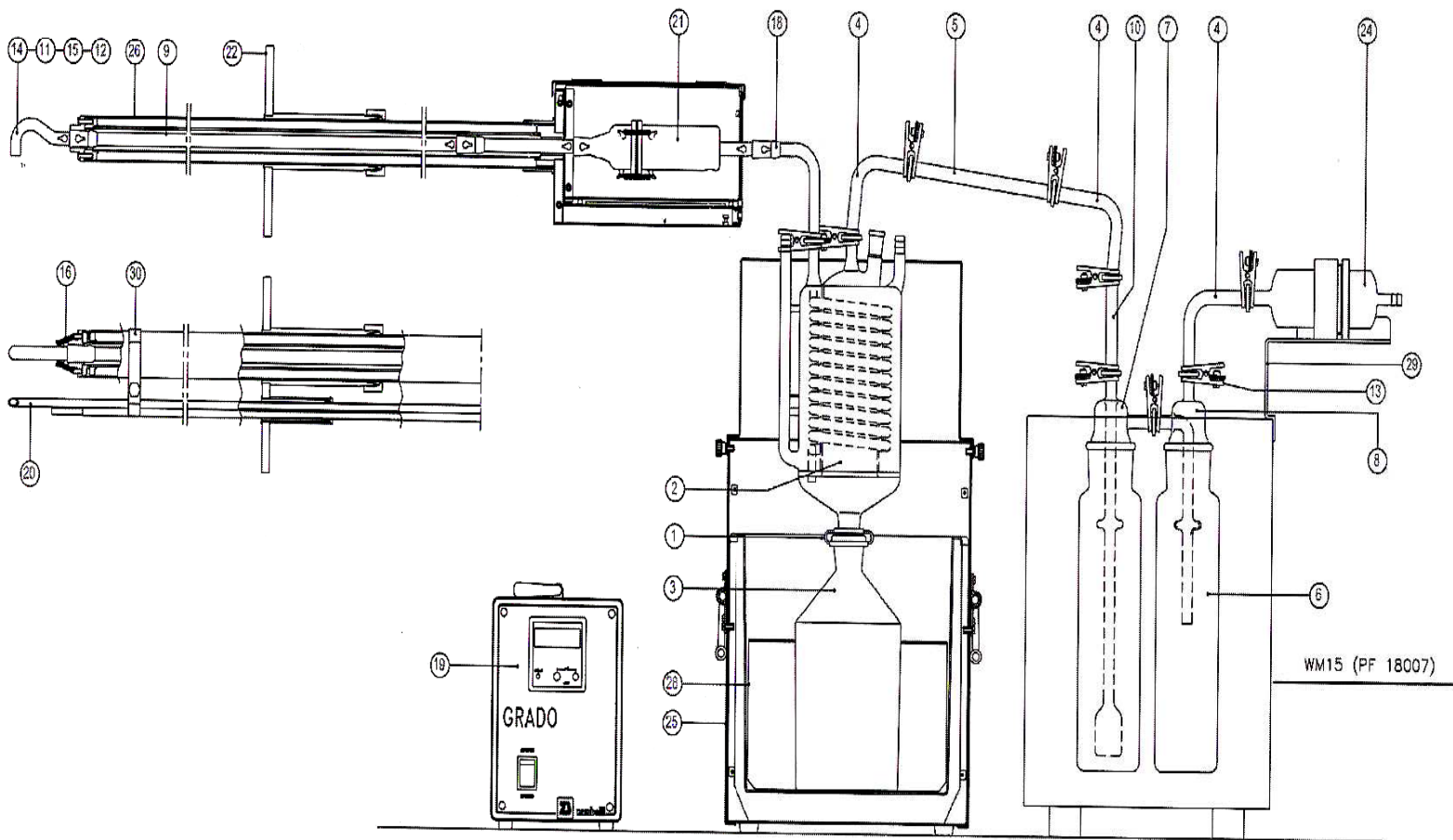
The samples were analysed at the ALS Czech Republic, s.r.o accredited laboratory following the CSN EN 1948-2,3 methodology: The determination of polychlorinated dibenzo-p-dioxine, dibenzofurans in emission samples with the method of isotop dillution using HRGC/HRMS.

The dioxin and furans analyses were conducted at the ALS Czech Republic, s.r.o. Laboratory, specifically accredited for the test by the Český Institut Pro Akreditaci, o.p.s. , Nr L 1163.

**Stage III - development and the results and discussion**

The last stage includes results collection from the previous stages, emission calculation and PCDD/DF concentration as well as comparison to the standards in force.

**Test Report No PW/26/07/20**



Opis:

- 1. ferrule
- 2. cooler
- 5,10. aspiration path - tubes
- 13. clamp
- 20. Pitot tube „S” - type
- 25. cooler casina

- 3. condensation pot
- 6-8. scrubbers
- 16. holding springs
- 21. filter casing
- 26. heated probe

- 4,18. aspiration path - elbows
- 9. aspiration path - probe tube
- 17. aspiration controller
- 22. yoke
- 28. cooler coil

- 11,12,14,15. – aspiration endings
- 19. temperature controller
- 24. gas dryer
- 29,30. support

---

**Test Report No PW/26/07/20**

---

**6. MEASUREMENT RESULTS**

**Test Report No PW/26/07/20**

- 1) Plant or unit name: **Combined Heat and Power Plant<sup>1)</sup>**
- 2) Flue gases cleaning unit: **ALSTOM NID flue gas cleaning solution (bag filters, activate carbon, ammonia solution, hydrated lime)<sup>1)</sup>**
- 3) Emission source load during measurements: **~94,0 MW<sup>1)</sup>**
- 4) Fuel type or material mass flow in process: **47% municipal waste, 53% industrial waste; 31 t/h<sup>1)</sup>**
- 5) Location of sampling and measurements: **in duct, after flue gases cleaning unit**

Measurement reference number		23-06-01		X	X	
Date of measurement		23.06.2020				
Measurement time range		10:35-16:39				
Scope of test		Unit	Results	Uncertainty +/-	Method	
Meteorological conditions	Atmospheric pressure		hPa	<b>1018,1</b>	0,9	
	Air temperature		oC	<b>19</b>	X	
Cross-section	Diameter		m	<b>2,20</b>		
	Area		m <sup>2</sup>	<b>3,7994</b>		
The parameters of gas in line	Temperature		oC	<b>143</b>		2,550
	Static pressure		Pa	<b>-120</b>	-1,180	
	Differential pressure		Pa	<b>279</b>	2,550	
	Gas moistness grade X		kg/kg	<b>0,149</b>	0,003	
	Average velocity		m/s	<b>22,4</b>	1,4	
	Chemical composition	O <sub>2</sub>		%	<b>8,0</b>	0,4
		CO <sub>2</sub>		%	<b>11,2</b>	0,6
	Wet gas density during testing		kg/m <sup>3</sup>	<b>1,023</b>	X	
Gas density in normal conditions		kg/m <sup>3</sup> N	<b>1,242</b>			
Gas density in conventional conditions		kg/m <sup>3</sup> U	<b>1,344</b>			
Concentration in the gas at measurement conditions	PCDDF*		ng/m <sup>3</sup>	<b>0,002</b>	0,001	
Concentration in the gas at normal conditions	PCDDF*		ng/m <sup>3</sup>	<b>0,002</b>	0,001	
Concentration of the substance in the gas in the conventional conditions	PCDDF*		ng/m <sup>3</sup>	<b>0,003</b>	0,001	
Concentration of the substance in the gas in the conventional conditions O <sub>2</sub> ref. 11%	PCDDF*		ng/m <sup>3</sup>	<b>0,002</b>	0,001	
Gas volume flow	measurement conditions		m <sup>3</sup> /h	<b>306520</b>	38466	
	normal conditions		m <sup>3</sup> N/h	<b>202190</b>	25394	
	conventional conditions		m <sup>3</sup> U/h	<b>163763</b>	21537	
	conventional conditions O <sub>2</sub> ref. 11%		m <sup>3</sup> U/h	<b>212892</b>	32010	
The emission obtained by measuring	PCDDF*		ng/h	<b>409,41</b>	136,53	
Emission limits	PCDDF*		ng/m <sup>3</sup>	<b>0,1</b>	X	
Transgerssion	PCDDF*		ng/m <sup>3</sup>	<b>-</b>		

\*- the results obtained from the subcontractor ( accredited )

<sup>1)</sup>-information obtained from the client



**Test Report No PW/26/07/20**Notes:

Normal conditions designate the temperature of 273 K and pressure of 101,3kPa, defining normal cubic meter m<sup>3</sup>N. The conventional conditions designate the temperature of 273K, pressure of 101,3 kPa and dry gases (steam contents less than 5 g/kg of flue gas), defining conventional cubic meter, m<sup>3</sup>U

The specified expanded uncertainty comes from standard uncertainty multiplied by expansion coefficient k = 2, which provides 95% level of confidence for normal distribution. Uncertainty takes into account the sampling and analysis.

Registry of samples delivered to the laboratory: P/103/06/20, P/104/06/20

Date of delivery to the laboratory: 26.06.2020

Date of analysis: 26.06 - 17.07.2020

**Field blanks:**

ID/ number of sample	Type of substance	The criterion of the blank [ng/m <sup>3</sup> ] 11%O <sub>2</sub>	The value of the blank [ng/m <sup>3</sup> ] 11% O <sub>2</sub>	Result [+/-]
P/104/06/20	PCDD/DF	0,01	0,001	+

Work parameters of measurement system:**PCDD/DF (PN-EN 1948:2006):**

sampling method: condensation - adsorption method  
 filter parameters: 19 x 90 mm, filter efficiency: 99,998 %  
 sampling train: 2 measurement axis  
 oxygen reference : 11 %  
 time of dioxins and furans measurement: 10:35 – 16:39 (364,3 min)  
 nozzle diameter: 6 mm  
 probe temperature: 120 °C  
 scrubbers temperature 5 °C  
 aspired gas volume 9,099 m<sup>3</sup>  
 average sampling flow 25,0 l/min  
 izokinetic ratio: 110,2 %  
 leak test: + / +  
 gas meter temperature 31 °C  
 gas meter pressure 0 bar  
 spiking pattern: filter surface  
 absorption solution: 100 ml H<sub>2</sub>O dest. + 50 ml 2-etoksyetanol  
 recovery: 76 % <sup>13</sup>C<sub>12</sub>-1,2,3,7,8-PECDF, />50%/  
 56 % <sup>13</sup>C<sub>12</sub>-1,2,3,7,8,9-HxCDF, />50%/  
 56 % <sup>13</sup>C<sub>12</sub>-1,2,3,7,8,9 HpCDF. />50%/  
 TEQ sample mass: 0,02 ng

**H<sub>2</sub>O (PN-EN 14790:2017)**

sampling train: 2 measurement axis  
 sampling equipment: titanium sampling train  
 heated probe 2,0 m long  
 sampling pump: PT-01  
 cartridge: K/03/06/20  
 number of samplings: 1  
 sampling time: 31 min  
 sampling volume: 2,0 l/min  
 H<sub>2</sub>O mass: 11,25 g  
 absorption efficiency: 98,1 %

**Test Report No PW/26/07/20****7. MEASUREMENT DEVICES**

Name of measuring device		X1- Apis
Type of measuring device		Isokinetic sampler S/N 0142
Certificate	Calibration No	824-2373/19 824-2374/19 824-2372/19 824-2375/19 G-106/20-66/20
Issued by		INTROL Sp. z o.o. KATOWICE ZAP BESTWINKA
Date of issue the certificate of calibration		27.08.2019 28.08.2019 11.03.2020
Expiration date of the certificate of calibration		-

Name of measuring device		HORIBA
Type of measuring device		PG-350E-HR
Certificate	Calibration No	63/1/AW/18
Issued by		Laboserwis Sp. z o.o. Katowice
Date of issue the certificate of calibration		13.03.2018
Expiration date of the certificate of calibration		-

Name of measuring device		Sampler
Type of measuring device		PT-01
Certificate	Calibration No	851-2463/19 786-2245/19 G-360/19-224/19 R-286/16-186/16
Issued by		INTROL Sp. z o.o. KATOWICE ZAP BESTWINKA
Date of issue the certificate of calibration		29.08.2019 12.08.2019 08.08.2019
Expiration date of the certificate of calibration		-

## Test Report No PW/26/07/20

## 7. ANALYSIS RESULTS



## Attachment no. 1 to the Certificate of Analysis for work order PR2063468

Sample: P/103/06/20

## Measurement results PCDD/Fs:

Sample: P/103/06/20		Final extract [µl]: 60			
		Injection volume [µl]: 4			
		Acquisition date [d.m.y h:m]: 11.7.20 15:15			
2,3,7,8-PCDD/Fs	Result [ng/sample]	Limit of Detection [ng/sample]	Limit of Quantification [ng/sample]	<sup>1</sup> I-TEFs	I-TEQ Upperbound [ng/sample]
2,3,7,8-TCDD	< 0.0025	0.0025	0.005	1	0.0025
1,2,3,7,8-PeCDD	< 0.0033	0.0033	0.0067	0.5	0.0017
1,2,3,4,7,8-HxCDD	< 0.0059	0.0059	0.012	0.1	0.00059
1,2,3,6,7,8-HxCDD	< 0.0059	0.0059	0.012	0.1	0.00059
1,2,3,7,8,9-HxCDD	< 0.0059	0.0059	0.012	0.1	0.00059
1,2,3,4,6,7,8-HpCDD	< 0.13	0.13	0.25	0.01	0.0013
OCDD	< 0.42	0.21	0.42	0.001	0.00042
2,3,7,8-TCDF	< 0.022	0.011	0.022	0.1	0.0022
1,2,3,7,8-PeCDF	< 0.017	0.0085	0.017	0.05	0.00085
2,3,4,7,8-PeCDF	< 0.0085	0.0085	0.017	0.5	0.0043
1,2,3,4,7,8-HxCDF	< 0.0075	0.0075	0.015	0.1	0.00075
1,2,3,6,7,8-HxCDF	< 0.0075	0.0075	0.015	0.1	0.00075
1,2,3,7,8,9-HxCDF	< 0.0075	0.0075	0.015	0.1	0.00075
2,3,4,6,7,8-HxCDF	< 0.015	0.0075	0.015	0.1	0.0015
1,2,3,4,6,7,8-HpCDF	< 0.11	0.057	0.11	0.01	0.0011
1,2,3,4,7,8,9-HpCDF	< 0.057	0.057	0.11	0.01	0.00057
OCDF	< 0.027	0.027	0.054	0.001	0.000027
I-TEQ from quantified 2,3,7,8-PCDD/Fs - "Lowerbound"					0
I-TEQ from 2,3,7,8-PCDD/Fs - "Mediumbound"					0.01
Maximum possible I-TEQ - "Upperbound"					0.02
PCDDs	Result [ng/sample]	PCDFs	Result [ng/sample]		
Tetra-CDDs	< 0.055	Tetra-CDFs	4		
Penta-CDDs	< 0.047	Penta-CDFs	1.3		
Hexa-CDDs	< 0.059	Hexa-CDFs	0.73		
Hepta-CDDs	< 0.25	Hepta-CDFs	< 0.23		
OCDD	< 0.42	OCDF	< 0.027		

<sup>1</sup>I-TEF according to NATO.

Limits of quantification are defined as double of the detection limits.

The limit of detection is defined as the amount of analyte producing a signal with S/N<sub>3</sub>.

The value of the detection limit is mentioned as the actual value at the acquisition date.

Measurement uncertainty is expressed as a double (k=2) relative standard deviation (RSD%), and corresponds to 95% confidence interval.

Estimation of uncertainty of each 2,3,7,8-PCDD/F congener is 30% and total I-TEQ is 20%.

These values were ensured by analyses of certified reference material under conditions of internal reproducibility.

Results marked with "&lt;" are below limit of detection or quantification.

"Lowerbound" and "Upperbound" are levels defined in Regulation 2017/644 and EN 1948-4.

"Mediumbound" is levels defined in Regulation 2017/644.

**Test Report No PW/26/07/20****Attachment no. 1 to the Certificate of Analysis for work order PR2063468**

Sample:

P/103/06/20

**Standards recovery:**

Sample:		P/103/06/20			
		Final extract [µl]:		60	
		Injection volume [µl]:		4	
		Acquisition date [d.m.y h.m]:		11.7.20 15:15	
Extraction standard	Recovery [%]	Acceptable range [%]		Accept. rec. with respect to	
		Basic	Extended	basic range	extended range
<b>PCDDs</b>					
13C12 - 2,3,7,8-TCDD	52	50 - 130	30 - 150	YES	-
13C12 - 1,2,3,7,8-PeCDD	55	50 - 130	30 - 150	YES	-
13C12 - 1,2,3,4,7,8-HxCDD	68	50 - 130	30 - 150	YES	-
13C12 - 1,2,3,6,7,8-HxCDD	57	50 - 130	30 - 150	YES	-
13C12 - 1,2,3,4,6,7,8-HpCDD	92	40 - 130	20 - 150	YES	-
13C12 - OCDD	96	40 - 130	20 - 150	YES	-
<b>PCDFs</b>					
13C12 - 2,3,7,8-TCDF	54	50 - 130	30 - 150	YES	-
13C12 - 2,3,4,7,8-PeCDF	58	50 - 130	30 - 150	YES	-
13C12 - 1,2,3,4,7,8-HxCDF	90	50 - 130	30 - 150	YES	-
13C12 - 1,2,3,6,7,8-HxCDF	96	50 - 130	30 - 150	YES	-
13C12 - 2,3,4,6,7,8-HxCDF	81	50 - 130	30 - 150	YES	-
13C12 - 1,2,3,4,6,7,8-HpCDF	93	40 - 130	20 - 150	YES	-
13C12 - OCDF	95	40 - 130	20 - 150	YES	-
Sampling standard	Recovery [%]	Acceptable range [%]		Rec. in range?	
13C12-1,2,3,7,8-PeCDF	76	> 50		YES	
13C12-1,2,3,7,8,9-HxCDF	56	> 50		YES	
13C12-1,2,3,4,7,8,9-HpCDF	56	> 50		YES	

**Test Report No PW/26/07/20****9. CERTIFICATE OF ACCREDITATION**

**POLSKIE CENTRUM AKREDYTACJI**  
POLISH CENTRE FOR ACCREDITATION

 **Sygnatariusz EA MLA**  
EA MLA Signatory

**CERTYFIKAT AKREDYTACJI**  
**LABORATORIUM BADAWCZEGO**  
ACCREDITATION CERTIFICATE OF TESTING LABORATORY  
**Nr AB 994**

Potwierdza się, że: / This is to confirm that:

**„PROFTECH” Sp. z o.o.**  
**ul. Kurta Aldera 44, 41-506 Chorzów**

spełnia wymagania normy PN-EN ISO/IEC 17025:2018-02  
meets requirements of the PN-EN ISO/IEC 17025:2018-02 standard

Akredytowana działalność jest określona w Zakresie Akredytacji Nr AB 994  
Accredited activity is defined in the Scope of Accreditation No AB 994

Akredytacja pozostaje w mocy pod warunkiem przestrzegania  
wymagań jednostki akredytującej określonych w kontrakcie Nr AB 994  
This accreditation remains in force provided the Laboratory observes  
the requirements of Accreditation Body defined in the Contract No AB 994

Akredytacji udzielono dnia 30.01.2009 r.  
Accreditation was granted on 30.01.2009

  **DYREKTOR**  
**POLSKIEGO CENTRUM AKREDYTACJI**  
  
**LUCYNA OLBORSKA**

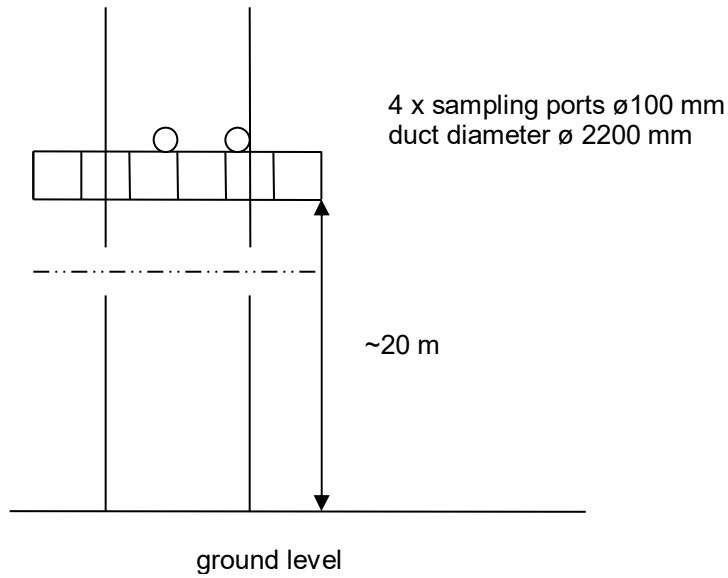
Warszawa, dnia 9 grudnia 2019 roku

---

**Test Report No PW/26/07/20**

---

**10. MEASUREMENT PLANE SCHEME**



Approved by

.....  
Name and Signature

END OF REPORT